

# Short instructions for disinfection of measuring prisms

English

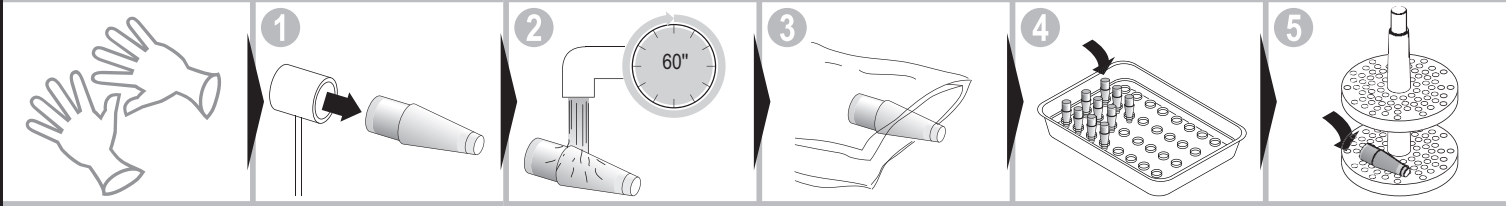


Excerpt from HAAG-STREIT instruction for use 'cleaning and disinfection'. Complete instructions for use: [www.haag-streit.com](http://www.haag-streit.com)



**FORBIDDEN!** Never use damaged measuring prisms. **NOTE:** If using 'Tristel Pre-Clean Wipes', 'Tristel DUO' and 'Tristel Rinse Wipes', refer to the manufacturers instructions for use.

## Cleaning

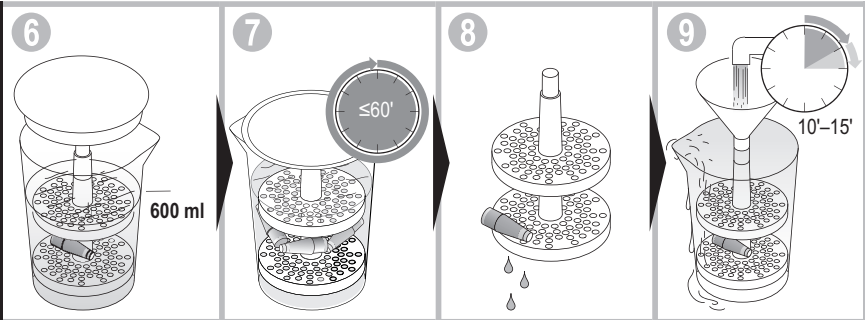


- Disposable gloves recommended (personal security).
- 1. Remove measuring prism from the holder.
- 2. Clean for 60 seconds under running water. If necessary, use a pH-neutral cleansing agent.

- Rinse off the cleansing agent under running, cold drinking water for 60 seconds.
- Repeat this cleaning process if visible contamination is still present.
- 3. Dry with a lint-free disposable cloth.
- Perform a visual inspection for cleanliness and integrity.

- 4. Place the cleaned measuring prisms in the Desinset plastic tray.
- 5. Remove the measuring prisms from the plastic tray and place them on the lower level of the Desinset plastic insert.
- Measuring prisms must not overlap.

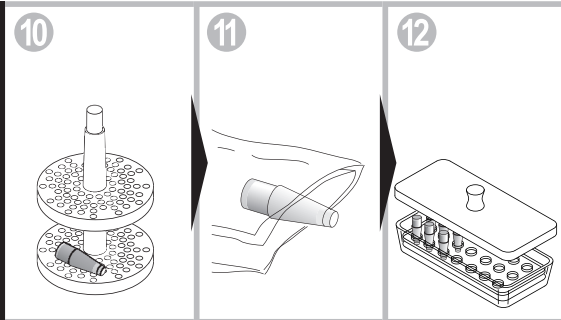
## Disinfection / rinsing



- 6. Add at least 600 ml of disinfectant solution.
- Measuring prisms must be completely immersed in the disinfectant solution.
- 7. Maximum material-compatible exposure time: 60 minutes.

- 8. Allow the plastic insert to drip dry and place it in the other measuring beaker.
- 9. Place the funnel on the plastic insert.
- Rinse the contents under running water for a minimum of 10 minutes and a maximum of 15 minutes.

## Drying / storing



- 10. Remove the plastic insert with the measuring prisms.
- 11. Dry each measuring prism individually using a soft disposable cloth.
- 12. Store the measuring prisms in a closed Desinset glass container.



**NOTE!**  
The disinfectant must be replaced as follows:  
→ When visibly soiled  
→ Once a day or as specified by the manufacturer  
• List of Disinfectants: [www.haag-streit.com](http://www.haag-streit.com)  
• HAAG-STREIT recommends Desinset



**FORBIDDEN!**

- Disinfection with alcohol
- Cleaning with acetone
- Disinfection using UV radiation
- Sterilization using steam or ethylene oxide
- Temperatures above 60°C



Haag-Streit AG  
Gartenstadtstrasse 10  
3098 Koeniz, Switzerland  
[www.haag-streit.com](http://www.haag-streit.com)